

Oil Level Gauge - OLG

It is an economical, rugged, compact and reliable gauge for visual indication of oil levels in small tanks.

Construction & Operation :

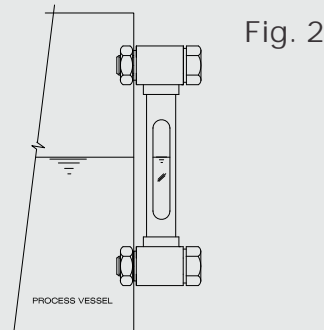
Consists of a toughened borosilicate gauge glass tube fitted between two metallic end blocks & banjo bolts through a set of O rings. A guard is provided in the form a steel tube enclosing the glass gauge, to provide protection from accidental blows. The guard has two slotted windows for viewing oil level. The gauge is mounted parallel to tank, so as to form a closed loop, causing tank liquid to see kits levels in the gauge.

Specifications :

End Blocks & Banjo Bolts	: CS (ZN Plated)
Process Conn	: M12 or M8, Banjo Bolts
Lock Nut	: CS (ZN Plated)
Guard	: CS, Slotted Tube (ZN Plated)
Gauge	: Toughened B. Glass (HW) X 16 OD
Packing	: Silicon
Banjo Bolt O-rings	: Neoprene I Viton
CC Distance (range)	: 75 to 300 mm
Visibility	: CC Dist (mm) Minus 40 mm
Temperature	: 70°C (Neoprene) or 100°C (Viton)
PR. Rating	: 1Kg/Cm2 (amb. temp)

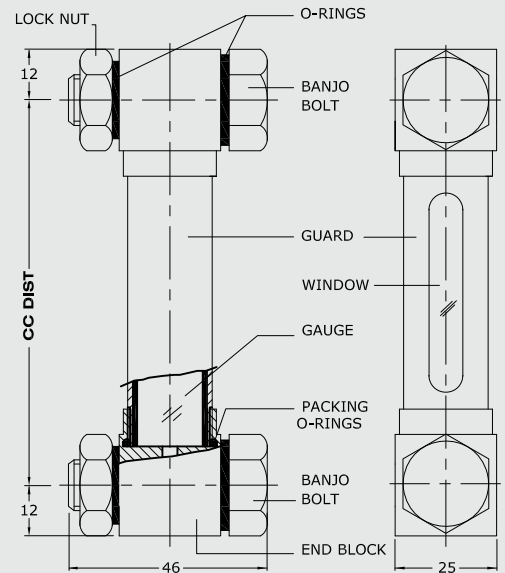
Installation :

Side mounted through tank nozzles with matching process connections and ensuring that gauge is mounted parallel to the tank and nozzles CC dist corresponds to tank CC dist.



Construction :

Fig. 1



Model Identification :

OLG -		xx CC Dist (75 to 300 mm)
Process Conn		
M12, Banjo bolt	1	
M8, Banjo bolt	2	
Others	0	
Packing		
Neoprene 70°C	1	
Viton 100°C	2	
Others	0	

Ordering Information : Model No. x CC Dist. (mm)